

WELL AIR PISTOL SERIES

使用說明書 INSTRUCTION

● 體育競技汽槍 勿對準人或動物

16-系列

Use 6mm bullets

對象年齡18歲以上
USERS RESTRICTED TO
18 YEAR OF AGE OR OLDER

● DO NOT SHOOT AT ANY HUMAN OR ANIMAL

★A1★



★A2★



★A3★

特種配備：照明電筒、紅外線
瞄准器、槍柄

SPECIAL TYPE EQUIP: Flashlight,
Infrared launcher, Handle



★A4★

特種配備：照明電筒、紅外線瞄准器、
可調長度槍托

SPECIAL TYPE EQUIP: Flashlight,
Infrared launcher, Adjust gunstock



特別制作：為使產品提高質量和準確度，
內加鐵管、鋁合金管

ESPECIALLY CREATION: For making product increase the quantity to add the iron piping, aluminum metal alloy the tube with accurate degree, inside



WARNING:



● Do not shoot at any human or animal.



● Read the instruction and note before using.

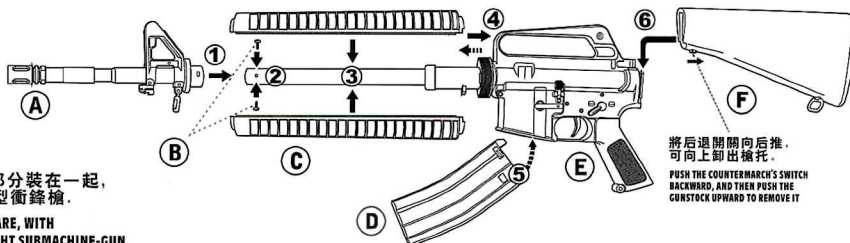
● CHOKING HAZARD-Small parts. not for children under 18 years.

裝拆圖解 Illustration

1 裝配 ASSEMBLED

A1

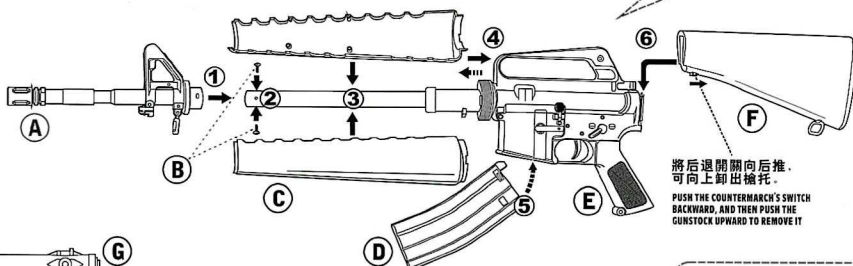
將A, B, C, D, E, F各部分裝在一起, 就可以化成一把輕型衝鋒槍。
FIT ON THE A, B, C, D, E, F SHARE, WITH CONSTITUTES HANDFUL LIGHT SUBMACHINE-GUN.



- (A) 槍頭 GUN CAPUT
- (B) 螺絲釘 SCREW
- (C) 槍筒 GUN COLLET
- (D) 彈倉 MAGAZINE
- (E) 槍身 GUN BODY
- (F) 槍托 GUNSTOCK

將后退開關向后推, 可向上卸出槍托。
PUSH THE COUNTERMARCH'S SWITCH BACKWARD, AND THEN PUSH THE GUNSTOCK UPWARD TO REMOVE IT

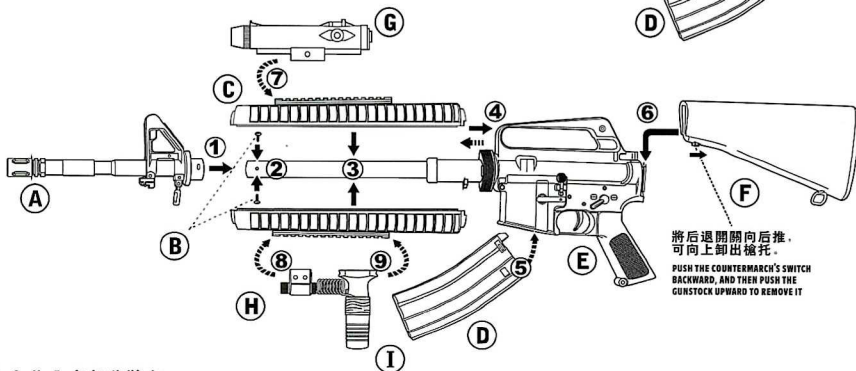
A2



將后退開關向后推, 可向上卸出槍托。
PUSH THE COUNTERMARCH'S SWITCH BACKWARD, AND THEN PUSH THE GUNSTOCK UPWARD TO REMOVE IT

- (A) 槍頭 GUN CAPUT
- (B) 螺絲釘 SCREW
- (C) 槍筒 GUN COLLET
- (D) 彈倉 MAGAZINE
- (E) 槍身 GUN BODY
- (F) 槍托 GUNSTOCK
- (G) 照明電筒 FLASHLIGHT

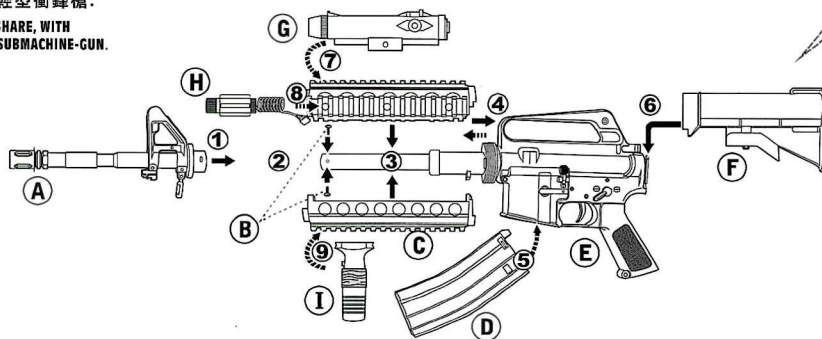
A3



將后退開關向后推, 可向上卸出槍托。
PUSH THE COUNTERMARCH'S SWITCH BACKWARD, AND THEN PUSH THE GUNSTOCK UPWARD TO REMOVE IT

將A, B, C, D, E, F, G, H, I各部分裝在一起, 就可以化成一把輕型衝鋒槍。
FIT ON THE A, B, C, D, E, F, G, H, I SHARE, WITH CONSTITUTES HANDFUL LIGHT SUBMACHINE-GUN.

A4



可調節槍托
ADJUST GUNSTOCK

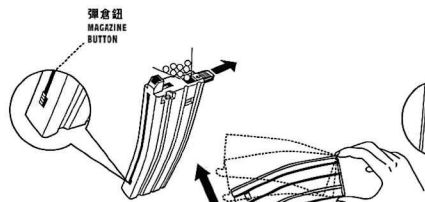
拉下固定槍托可伸縮, 槍托可伸縮。
DRAUGHT THE FIXER, THE GUNSTOCK CAN FLEX

將后退開關向后推, 可向上卸出槍托。
PUSH THE COUNTERMARCH'S SWITCH BACKWARD, AND THEN PUSH THE GUNSTOCK UPWARD TO REMOVE IT

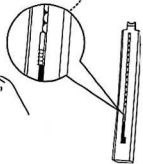
2 裝彈 LOAD BULLET



按壓彈倉按鈕, 彈倉可退出。
PRESS THE MAGAZINE HOLD TO THE. THE MAGAZINE CAN EXIT.

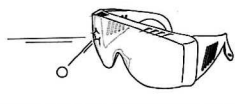


按下彈倉鈕至終點, 按緊彈倉夾, 再裝彈。
PRESS THE MAGAZINE DOTTON TO THE END POINT, PRESS THE MAGAZINE HOLD FIXED AND LOAD THE BB BULLETS.



按下彈倉鈕壓住BB彈。
PRESS THE MAGAZINE DOTTON TO SUPPRESS THE BB BULLETS.

配備防彈眼鏡 BULLERPROOF CHEATERS



3 射擊方法 HOW TO SHOOT



把開門拉杆往後拉至上際, 再回位。
PULL THE COCKING HANDLE JACKET BACKUNTIL THE GUNIS LOADED, THEN RETURN TO THE POSITION.

扣動扳機時BB彈射出。
WHEN THE TRIGGER IS PRESSED, THE BB BULLET WILL BE DISCHARGED.

保險扣旋至SAFE鎖記處, 扳機無法扳動。
THE TRIGGER IS UNABLE TO BE PULLED IF THE SAFETY DEVICE IS TURNED TO S POSITION.

注意 Attention

- 切勿探視槍口。
- 除比賽時外, 不要裝入子彈。
- 切勿改裝或分解本汽彈槍。
- 放置于小孩拿不到的地方。

Never look at the muzzle.
Never load any bullet into the gun until in shooting practice.
Never remodel the gun.
Put the gun at safe place where children can not touch.



- 槍口切勿對准人或動物。

Do not shoot at any human or animal.



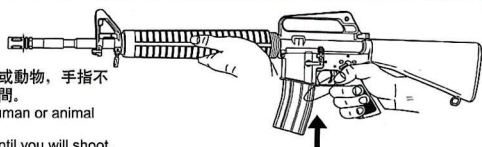
- 不要向能回彈子彈的固體物射擊

Do not shoot at solids which can turn back the bullet.



- 須確認發射方向沒有人或動物, 手指不要接觸扳機直至射擊瞬間。

Make sure that no any human or animal stays near the target.
Never touch the trigger until you will shoot.



- 不使用時, 不要拉滑塊(以免彈簧變弱)。

Never pull the sliding block until you will use this gun.
(Avoid the spring abating.)

